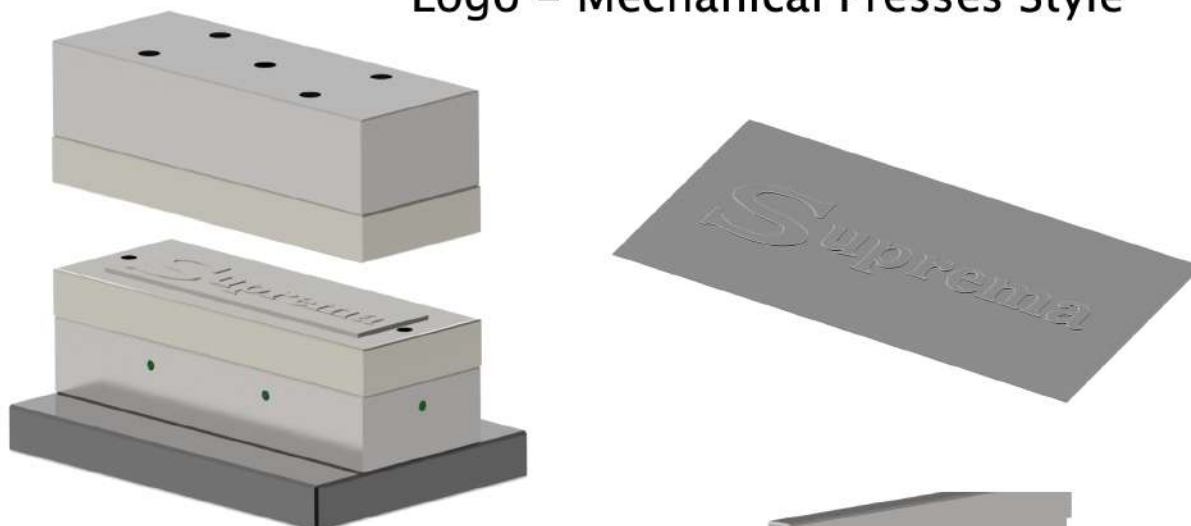
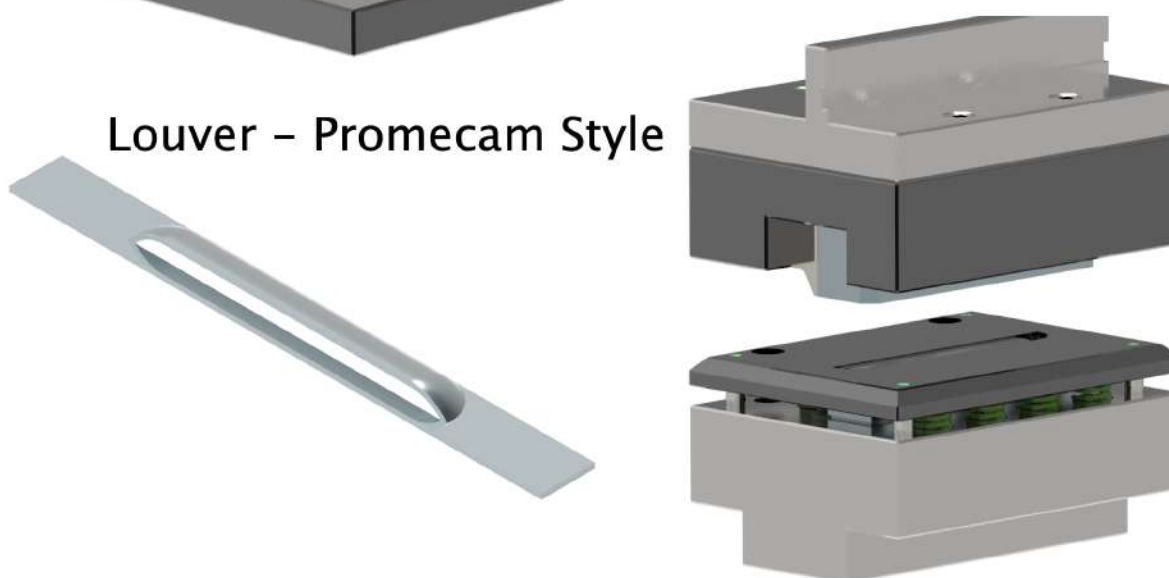


# Bending Special Tools

Logo – Mechanical Presses Style



Louver – Promecam Style



Punching & Bending  
Promecam Style

